
ST-14

———— CONTENTS ————

FIG. 1 EXTERIOR COVERS	2
FIG. 2 CASSETTE	4
FIG. 3 PAPER CONVEYING SECTION.....	6
FIG. 4 ACCESSORY & OPTION	8
• INDEX.....	10

FIG. 1 EXTERIOR COVERS

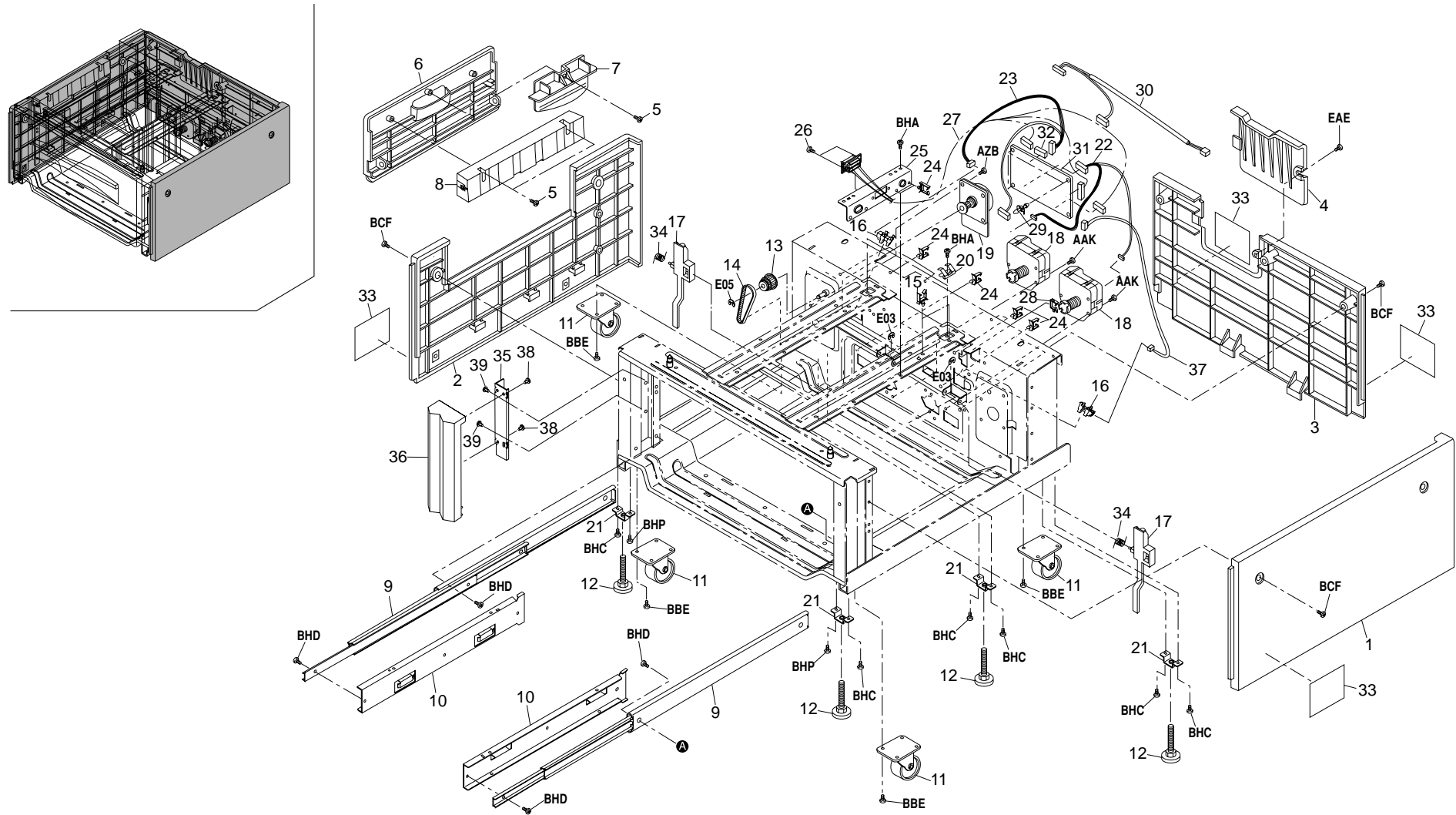


FIG. 1 EXTERIOR COVERS

5FF

SP	Ref. No.	Part. No.	Description	Quantity		
				120V	230V	240V
●	1	5FH04040	RIGHT COVER	1	1	1
●	2	5FH04030	LEFT COVER	1	1	1
●	3	5FH04020	REAR COVER	1	1	1
●	4	68204052	COVER,CONNECTOR	1	1	1
	5	51608740	BINDING TAP-TITE SCREW CVM3X8	3	3	3
●	6	5FH04050	UPPER LEFT COVER	1	1	1
●	7	54104060	HANDLE,CONVEYING RELEASE	1	1	1
	8	5A707120	H-COVER SUB	1	1	1
	9	5FF07010	F-RAIL SLIDE(ACC)	2	2	2
	10	5A707240	F-BKT-ACC	2	2	2
	11	5A708000	CASSTER 100	4	4	4
	12	5FF07020	F-ADJUSTER	4	4	4
●	13	54106250	P2M43-G20	1	1	1
●	14	5A707740	BELTS2M084040	1	1	1
	15	M2109180	WIRE SADDLE,LWS-1S	2	2	2
●	16	5AA09040	TLP1241(C5)	2	2	2
●	17	5FH02030	LEVER,REMAINING DETECTION	2	2	2
●	18	5FH27010	MOTOR,LIFT	2	2	2
●	19	5FF07040	MOT-MB6030H03	1	1	1
●	20	53310400	EARTH PLATE 1	2	2	2
	21	5A707250	F-BKT-ADJUSTER	2	2	2
	22	5FF07050	ASM-LMOT84	1	1	1
	23	5FF07060	ASM-HMOT84	1	1	1
	24	M2109000	WIRE SADDLE,WS-1NS	11	11	11
	25	5A707260	F-BKT-DRAWER	1	1	1
	26	53310250	SCREW M3X5	2	2	2
	27	5FF07070	ASM-FL84	1	1	1
	28	M2104210	EDGING,EDS-2	1	1	1
	29	37622520	KGLS-6S	3	3	3
	30	5FF07080	ASM-I/F84-M	1	1	1
●	31	5FF07100	PBA-CONT W/O ROM	1	1	1
●	32	5FF07110	ROM,MAIN	1	1	1
●	33	5FF07120	LABEL,STOPPER	4	4	4
	34	5FF07130	LEVER REMAINING	2	2	2
	35	5FH02050	LEFT FRONT MOUNT,COVER	1	1	1
●	36	5FH04060	LEFT FRONT COVER	1	1	1
	37	5FF07170	ASM-RS3	1	1	1
	38	37622450	SCREW	2	2	2
	39	37622200	BINDING TAP TIGHT SCREW	2	2	2

• Parts with "●" indicates the Service parts.

FIG. 2 CASSETTE

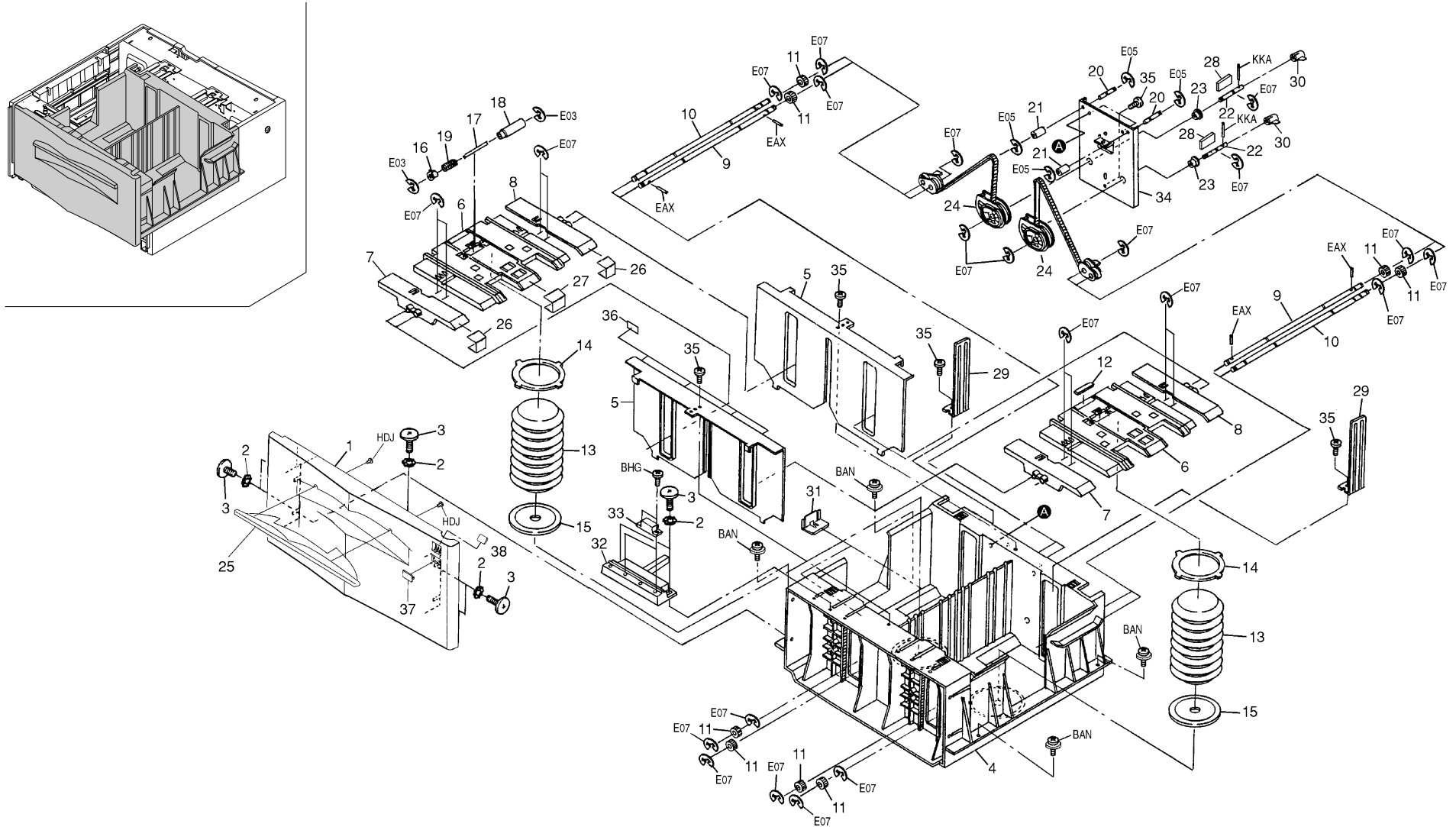


FIG. 2 CASSETTE

5FF

SP	Ref. No.	Part. No.	Description	Quantity		
				120V	230V	240V
●	1	5FH04010	FRONT COVER	1	1	1
●	2	53310260	CROWN WASHER	7	7	7
●	3	53310270	SCREW	7	7	7
	4	5A707130	CA-CASSETTE	1	1	1
	5	5A707230	C-PAPER SIDE GIDE	2	2	2
	6	5A707140	C-LIFTER MAIN	2	2	2
	7	5A707010	C-LIFTER SIDE F	2	2	2
	8	5A707020	C-LIFTER SIDE R	2	2	2
	9	5A707540	C-SFT-LIFT MAIN	2	2	2
	10	5A707550	C-SFT-LIFT SUB	2	2	2
●	11	51608690	GER-1.0-24	8	8	8
	12	54106010	RUBBER	1	1	1
	13	54106950	AIR DAMPER	2	2	2
	14	54107130	DAMPER SUPPORT	2	2	2
	15	5FF07140	DUMPER MAT 64	2	2	2
●	16	5A707160	C-ARBOR-64	1	1	1
●	17	5A707570	C-SFT-PULLEY	1	1	1
	18	5A707580	C-PICK PULLEY	1	1	1
●	19	5A707680	C-SP-PICK PULLEY60	1	1	1
	20	5A707530	C-SFT-DRIVING FULCRUM	2	2	2
	21	54106020	LIFT PULLEY	2	2	2
	22	5A707560	C-SFT-CAM	2	2	2
	23	5AA08420	BUSH-8P	2	2	2
●	24	54106930	RIGHT LIFT BELT ASS'Y	2	2	2
	25	5FF07150	HANDLE COVER	1	1	1
	26	5FH06040	FILM,LIFT PLATE SIDE	2	2	2
	27	5FF07030	FILM GUIDE(CENTER)	1	1	1
	28	54106740	PARALLEL KEY 3X3X10	2	2	2
●	29	5FH06030	REAR GUIDE,PAPER		2	2
	30	5FH02020	COUPLING,POSITIONING	2	2	2
	31	53310100	GROUND PLATE,CASSETTE	2	2	2
	32	5FH02040	ADJUSTING PLATE	1	1	1
	33	5FF07160	CATCH G	2	2	2
●	34	5A707210	C-BKT-LIFTER DRIVING	1	1	1
	35	51608740	BINDING TAP-TITE SCREW CVM3X8	5	7	7
	36	5FH06050	FILM,PAPER STOPPER	4	4	4
	37	3CF04050	PLATE NUMBER 3	1	1	1
	38	2BL06910	PLATE SIZE IN	1		
	38	2BL06470	PLATE SIZE C		1	1

• Parts with "●" indicates the Service parts.

FIG. 3 PAPER CONVEYING SECTION

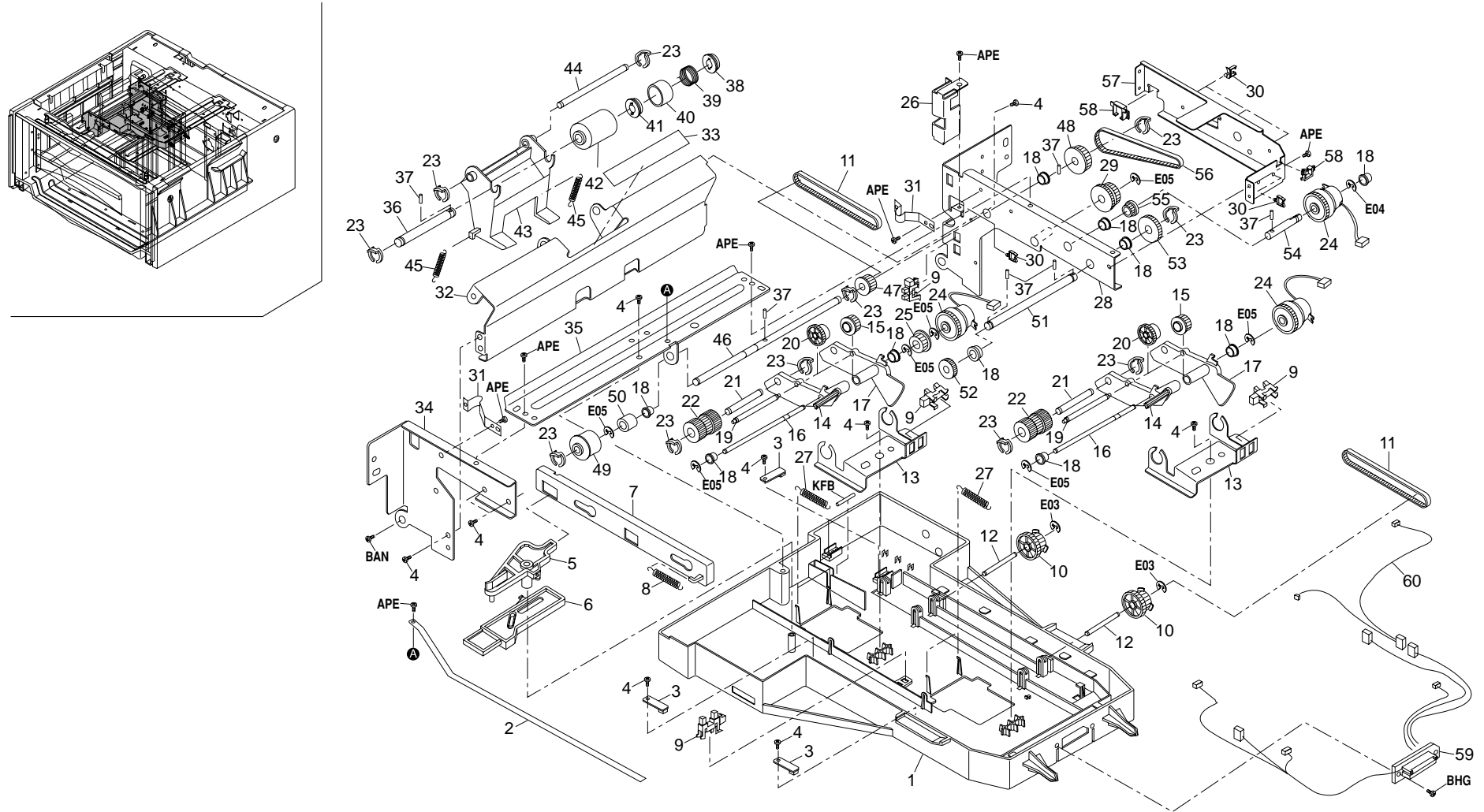


FIG. 3 PAPER CONVEYING SECTION

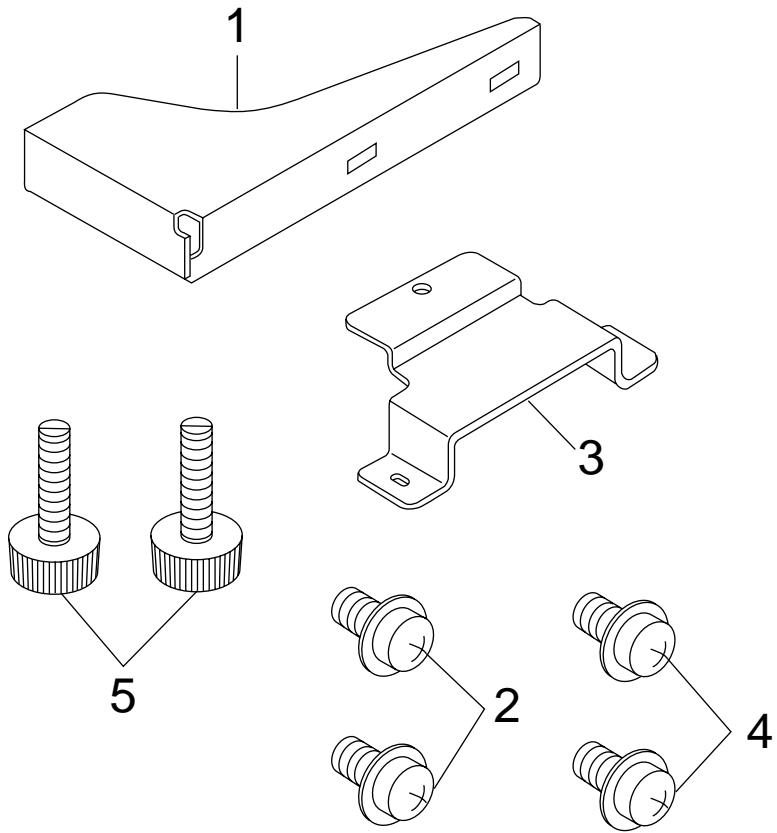
5FF

SP	Ref. No.	Part. No.	Description	Quantity		
				120V	230V	240V
	1	5A707110	H-CONVEYING BASE	1	1	1
	2	5A707380	H-B-GROUND	1	1	1
●	3	5A707980	SNS-SPI-338	4	4	4
	4	51608740	BINDING TAP-TITE SCREW CVM3X8	11	11	11
	5	54106130	LINK ARM	1	1	1
	6	5A707950	LINK PUSHER	1	1	1
	7	5A707090	H-PICK ARM LINK	1	1	1
●	8	5A707650	H-LINK SP13	1	1	1
●	9	5AA09040	TLP1241(C5)	4	4	4
●	10	54106100	PULLEY-20 GEAR 0.8-32	2	2	2
●	11	5A707760	BELTS3M092040	2	2	2
	12	54106700	SHAFT-TWIN GEAR	2	2	2
	13	5A707360	H-PICK-BKT	2	2	2
	14	5A707070	H-PICK ARM-F	2	2	2
●	15	5A707040	H-GER-0.8-23-OW	2	2	2
	16	5A707500	H-SFT-PICK ARM	2	2	2
	17	5A707080	H-PICK ARM-R	2	2	2
●	18	5AA08360	BUSH-6P	10	10	10
	19	5A707490	H-SFT-PICK GER	2	2	2
●	20	5A707780	LIMITER GER 4M 0.8-26	2	2	2
	21	5A707510	H-SFT-PICK ROLLER	2	2	2
●	22	5A707600	H-PICK ROLLER	2	2	2
●	23	59606770	CLIP-5	11	11	11
●	24	5A707970	CLU-BJ-2.6-060	3	3	3
●	25	54106280	PULLEY-S3M-18-OW	1	1	1
	26	5AA07500	K-OP-SEN COVER	1	1	1
●	27	5A707660	H-PICK SP	4	4	4
	28	5A707820	H-FRAME-R ASS'Y	1	1	1
●	29	54106070	GEAR 0.8-35-1-20	1	1	1
	30	M2105710	MINIATURE CLAMP,UAMS-05-0	5	5	5
	31	57905390	LEAF SPRING,LOCK	2	2	2
	32	5A707340	H-PAPER FEED BKT	1	1	1
●	33	5A707630	H-B FILM	1	1	1
	34	5A707370	H-FRAME-F	1	1	1
	35	5A707310	H-REINFORCEMENT	1	1	1
	36	5A707440	H-SFT-SEPARATION	1	1	1
●	37	5AA09060	PIN DOWEL 2*10	6	6	6
●	38	54106150	TORQUE LIMITER DRUM	1	1	1
●	39	5A707670	H-BTL	1	1	1
●	40	54106170	TORQUE LIMITER COVER	1	1	1

SP	Ref. No.	Part. No.	Description	Quantity		
				120V	230V	240V
●	41	5A707620	H-TL ARBOR64	1	1	1
●	42	5FH06020	PULLEY,SEPARATION	1	1	1
	43	5A707100	H-RELEASE LEVER	1	1	1
	44	5A707470	H-SFT-RELEASE	1	1	1
●	45	5A707640	H-SEPARATION SP13	2	2	2
	46	5A707480	H-SFT-NORMAL ROTATION	1	1	1
●	47	53310160	PULLEY S3M-16	1	1	1
●	48	5FH02010	PULLEY 28	1	1	1
●	49	5FH06010	PULLEY,PAPER FEED	1	1	1
●	50	54106870	ONE-WAY DRUM	1	1	1
	51	5A707460	H-SFT-G-24-30	1	1	1
●	52	5A707050	H-GER-0.8-24	1	1	1
●	53	57904430	GER 30	1	1	1
	54	5A707450	H-SFT-B-CL	1	1	1
●	55	5A707770	PLY-S2M-18-CPS	1	1	1
●	56	5A707750	BELTS2M095040	1	1	1
	57	5A707300	H-BKT-S	1	1	1
	58	5AA08500	EDS-0607M	2	2	2
	59	5A707900	ASM-CONVEYING BASE ASS'Y	1	1	1
	60	5A707920	ASM-HARNES,CLUTCH	1	1	1

• Parts with "●" indicates the Service parts.

ACCESSORY



OPTION

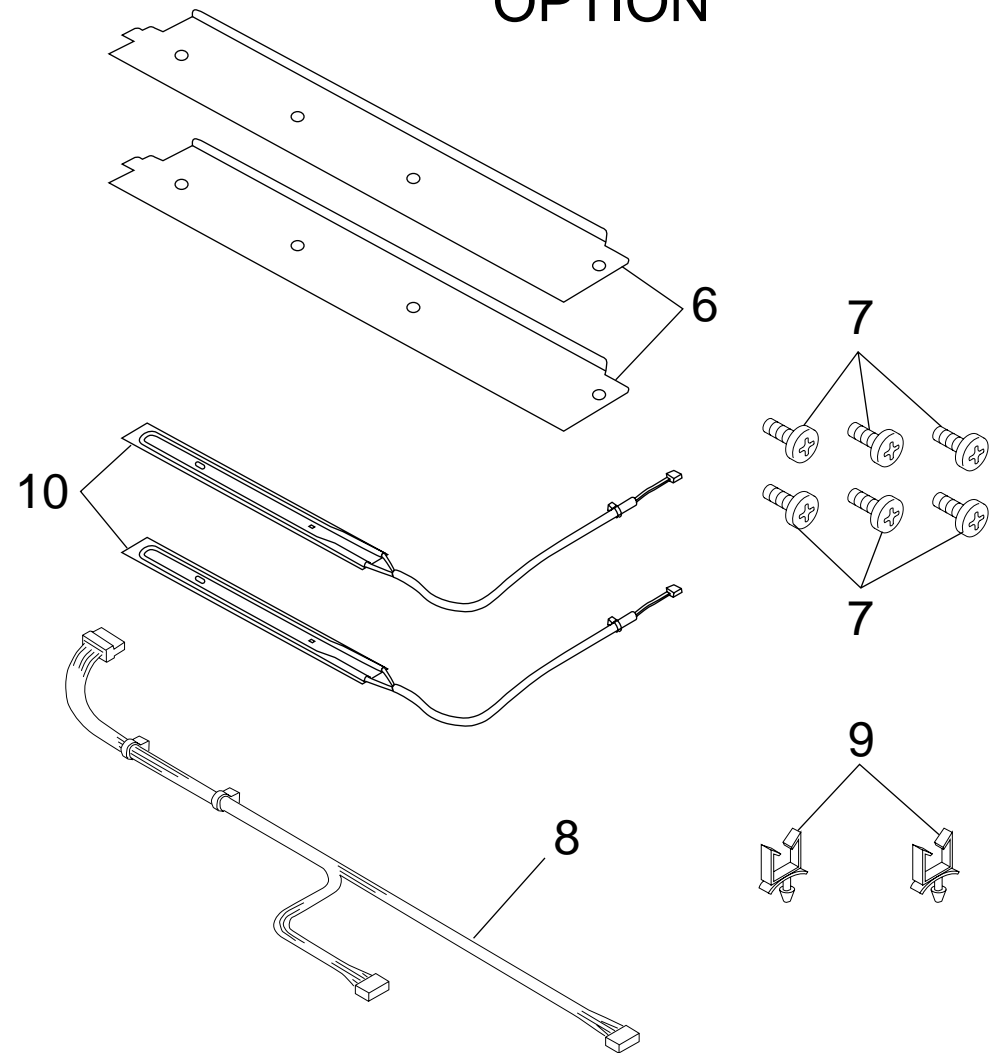


FIG. 4 ACCESSORY & OPTION

5FF

SP	Ref. No.	Part. No.	Description	Quantity		
				120V	230V	240V
	1	5A707700	F-BKT-AUXILIARY	1	1	1
	2	B4304160	TRIPLE SCREW M4X16(BLACK)	2	2	2
	3	5A707410	F-BKT-RETAINING	1	1	1
	4	B1004060	BINDING SCREW CVM4X6	2	2	2
	5	36904330	RETAINING PIN,ORIGINAL TRAY	2	2	2
●	6	5A707690	F-BKT-HEATER	2	2	2
●	7	37611570	IT TAP TIGHT(S TIGHT)M4X6	6	6	6
●	8	5A707890	ASM-HEATER	1	1	1
●	9	M2109000	WIRE SADDLE,WS-1NS	2	2	2
●	10	34860030	HEATER,CASSETTE(120)	2		
●	10	33960020	HEATER,CASSETTE (240)		2	2

• Parts with "●" indicates the Service parts.

INDEX

5FF

SP	Part. No.	Description	Quantity			Fig. No.
			120V	230V	240V	
	2BL06470	PLATE SIZE C		1	1	2
	2BL06910	PLATE SIZE IN	1			2
	3CF04050	PLATE NUMBER 3	1	1	1	2
●	33960020	HEATER,CASSETTE (240)		2	2	4
●	34860030	HEATER,CASSETTE(120)	2			4
	36904330	RETAINING PIN,ORIGINAL TRAY	2	2	2	4
●	37611570	IT TAP TIGHT(S TIGHT)M4X6	6	6	6	4
	37622200	BINDING TAP TIGHT SCREW	2	2	2	1
	37622450	SCREW	2	2	2	1
	37622520	KGLS-6S	3	3	3	1
	5AA07500	K-OP-SEN COVER	1	1	1	3
●	5AA08360	BUSH-6P	1	1	1	3
	5AA08420	BUSH-8P	2	2	2	2
	5AA08500	EDS-0607M	2	2	2	3
●	5AA09040	TLP1241(C5)	6	6	6	1
●	5AA09060	PIN DOWEL 2*10	6	6	6	3
	5A707010	C-LIFTER SIDE F	2	2	2	2
	5A707020	C-LIFTER SIDE R	2	2	2	2
●	5A707040	H-GER-0.8-23-OW	2	2	2	3
●	5A707050	H-GER-0.8-24	1	1	1	3
	5A707070	H-PICK ARM∞F	2	2	2	3
	5A707080	H-PICK ARM-R	2	2	2	3
	5A707090	H-PICK ARM LINK	1	1	1	3
	5A707100	H-RELEASE LEVER	1	1	1	3
	5A707110	H-CONVEYING BASE	1	1	1	3
	5A707120	H-COVER SUB	1	1	1	1
	5A707130	CA-CASSETTE	1	1	1	2
	5A707140	C-LIFTER MAIN	2	2	2	2
●	5A707160	C-ARBOR-64	1	1	1	2
●	5A707210	C-BKT-LIFTER DRIVING	1	1	1	2
	5A707230	C-PAPER SIDE GIDE	2	2	2	2
	5A707240	F-BKT-ACC	2	2	2	1
	5A707250	F-BKT-ADJUSTER	2	2	2	1
	5A707260	F-BKT-DRAWER	1	1	1	1
	5A707300	H-BKT-S	1	1	1	3
	5A707310	H-REINFORCEMENT	1	1	1	3
	5A707340	H-PAPER FEED BKT	1	1	1	3
	5A707360	H-PICK-BKT	2	2	2	3
	5A707370	H-FRAME-F	1	1	1	3
	5A707380	H-B-GROUND	1	1	1	3

SP	Part. No.	Description	Quantity			Fig. No.
			120V	230V	240V	
	5A707410	F-BKT-RETAINING	1	1	1	4
	5A707440	H-SFT-SEPARATION	1	1	1	3
	5A707450	H-SFT-B-CL	1	1	1	3
	5A707460	H-SFT-G-24-30	1	1	1	3
	5A707470	H-SFT-RELEASE	1	1	1	3
	5A707480	H-SFT-NORMAL ROTATION	1	1	1	3
	5A707490	H-SFT-PICK GER	2	2	2	3
	5A707500	H-SFT-PICK ARM	2	2	2	3
	5A707510	H-SFT-PICK ROLLER	2	2	2	3
	5A707530	C-SFT-DRIVING FULCRUM	2	2	2	2
	5A707540	C-SFT-LIFT MAIN	2	2	2	2
	5A707550	C-SFT-LIFT SUB	2	2	2	2
	5A707560	C-SFT-CAM	2	2	2	2
●	5A707570	C-SFT-PULLEY	1	1	1	2
	5A707580	C-PICK PULLEY	1	1	1	2
●	5A707600	H-PICK ROLLER	2	2	2	3
●	5A707620	H-TL ARBOR64	1	1	1	3
●	5A707630	H-B FILM	1	1	1	3
●	5A707640	H-SEPARATION SP13	2	2	2	3
●	5A707650	H-LINK SP13	1	1	1	3
●	5A707660	H-PICK SP	4	4	4	3
●	5A707670	H-BTL	1	1	1	3
●	5A707680	C-SP-PICK PULLEY60	1	1	1	2
●	5A707690	F-BKT-HEATER	2	2	2	4
	5A707700	F-BKT-AUXILIARY	1	1	1	4
●	5A707740	BELTS2M084040	1	1	1	1
●	5A707750	BELTS2M095040	1	1	1	3
●	5A707760	BELTS3M092040	2	2	2	3
●	5A707770	PLY-S2M-18-CPS	1	1	1	3
●	5A707780	LIMITER GER 4M 0.8-26	2	2	2	3
	5A707820	H-FRAME-R ASS'Y	1	1	1	3
●	5A707890	ASM-HEATER	1	1	1	4
	5A707900	ASM-CONVEYING BASE ASS'Y	1	1	1	3
	5A707920	ASM-HARNESS,CLUTCH	1	1	1	3
	5A707950	LINK PUSHER	1	1	1	3
●	5A707970	CLU-BJ-2.6-060	3	3	3	3
●	5A707980	SNS-SPI-338	4	4	4	3
	5A708000	CASSTER 100	4	4	4	1
	5FF07010	F-RAIL SLIDE(ACC)	2	2	2	1
	5FF07020	F-ADJUSTER	4	4	4	1

• Parts with "●" indicates the Service parts.

5FF

SP	Part. No.	Description	Quantity			Fig. No.
			120V	230V	240V	
●	5FF07030	FILM GUIDE(CENTER)	1	1	1	2
●	5FF07040	MOT-MB6030H03	1	1	1	1
●	5FF07050	ASM-LMOT84	1	1	1	1
●	5FF07060	ASM-HMOT84	1	1	1	1
●	5FF07070	ASM-FL84	1	1	1	1
●	5FF07080	ASM-IF84-M	1	1	1	1
●	5FF07100	PBA-CONT W/O ROM	1	1	1	1
●	5FF07110	ROM,MAIN	1	1	1	1
●	5FF07120	LABEL,STOPPER	4	4	4	1
●	5FF07130	LEVER REMAINING	2	2	2	1
●	5FF07140	DUMPER MAT 64	2	2	2	2
●	5FF07150	HANDLE COVER	1	1	1	2
●	5FF07160	CATCH G	2	2	2	2
●	5FF07170	ASM-RS3	1	1	1	1
●	5FH02010	PULLEY 28	1	1	1	3
●	5FH02020	COUPLING,POSITIONING	2	2	2	2
●	5FH02030	LEVER,REMAINING DETECTION	2	2	2	1
●	5FH02040	ADJUSTING PLATE	1	1	1	2
●	5FH02050	LEFT FRONT MOUNT,COVER	1	1	1	1
●	5FH04010	FRONT COVER	1	1	1	2
●	5FH04020	REAR COVER	1	1	1	1
●	5FH04030	LEFT COVER	1	1	1	1
●	5FH04040	RIGHT COVER	1	1	1	1
●	5FH04050	UPPER LEFT COVER	1	1	1	1
●	5FH04060	LEFT FRONT COVER	1	1	1	1
●	5FH06010	PULLEY,PAPER FEED	1	1	1	3
●	5FH06020	PULLEY,SEPARATION	1	1	1	3
●	5FH06030	REAR GUIDE,PAPER		2	2	2
●	5FH06040	FILM,LIFT PLATE SIDE	2	2	2	2
●	5FH06050	FILM,PAPER STOPPER	4	4	4	2
●	5FH27010	MOTOR,LIFT	2	2	2	1
●	51608690	GER-1.0-24	8	8	8	2
●	51608740	BINDING TAP-TITE SCREW CVM3X8	19	21	21	1
●	53310100	GROUND PLATE,CASSETTE	2	2	2	2
●	53310160	PULLEY S3M-16	1	1	1	3
●	53310250	SCREW M3X5	2	2	2	1
●	53310260	CROWN WASHER	7	7	7	2
●	53310270	SCREW	7	7	7	2
●	53310400	EARTH PLATE 1	2	2	2	1
●	54104060	HANDLE,CONVEYING RELEASE	1	1	1	1

SP	Part. No.	Description	Quantity			Fig. No.
			120V	230V	240V	
●	54106010	RUBBER	1	1	1	2
●	54106020	LIFT PULLEY	2	2	2	2
●	54106070	GEAR 0.8-35-1-20	1	1	1	3
●	54106100	PULLEY-20 GEAR 0.8-32	2	2	2	3
●	54106130	LINK ARM	1	1	1	3
●	54106150	TORQUE LIMITER DRUM	1	1	1	3
●	54106170	TORQUE LIMITER COVER	1	1	1	3
●	54106250	P2M43-G20	1	1	1	1
●	54106280	PULLEY-S3M-18-OW	1	1	1	3
●	54106700	SHAFT-TWIN GEAR	2	2	2	3
●	54106740	PARALLEL KEY 3X3X10	2	2	2	2
●	54106870	ONE-WAY DRUM	1	1	1	3
●	54106930	RIGHT LIFT BELT ASS'Y	2	2	2	2
●	54106950	AIR DAMPER	2	2	2	2
●	54107130	DAMPER SUPPORT	2	2	2	2
●	57904430	GER 30	1	1	1	3
●	57905390	LEAF SPRING,LOCK	2	2	2	3
●	59606770	CLIP-5	11	11	11	3
●	68204052	COVER,CONNECTOR	1	1	1	1
●	B1004060	BINDING SCREW CVM4X6	2	2	2	4
●	B4304160	TRIPLE SCREW M4X16(BLACK)	2	2	2	4
●	M2104210	EDGING,EDS-2	1	1	1	1
●	M2105710	MINIATURE CLAMP,UAMS-05-0	5	5	5	3
●	M2109000	WIRE SADDLE,WS-1NS	13	13	13	1
●	M2109180	WIRE SADDLE,LWS-1S	2	2	2	1

• Parts with "●" indicates the Service parts.